



Dear customer,

Thank you for purchasing SFF time P-ATX V3 case. Please read the full compatibility list before assembling your PC. You can find the list on our website at sfftime.com.

If you have any doubts about choosing your components, or steps in this manual, please contact us via email on info@sfftime.com, and we will be glad to assist you.

Important notes:

- always use the correct screwdriver tip for corresponding bolts (PH1 or PH2)
- always use the correct bolt type
- do not overtight the bolts
- do not force the components in, each component should be installed without using excessive force



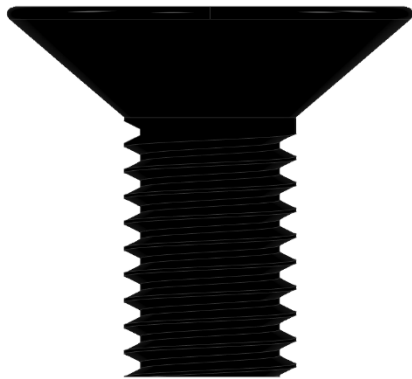
SFF time P-ATX V3 specifications:

- 10.4 L volume with 377.5 x 340 x 81 mm outer dimensions
- console/"pizza box" style case with CPU and GPU fans in the same orientation
- SFX/SFX-L power supply up to 130mm
- vertically mounted GPU with multiple riser cable options
- support for following motherboard sizes: mini-ITX, mini-DTX, micro-ATX, ATX
- support for full length dual slot graphic card, or triple slot if using ITX sized motherboard
- support for 120mm AIO
- CPU coolers up to 59 mm in height
- support for a 3.5" drive and up to six 2.5" drives
- back of motherboard accessible for cooler installation
- front USB-C gen3.2 port
- sturdy powder-coated aluminum construction
- narrow footprint - 110 mm wide with included stand
- inverted layout option
- 1.7 kg weight



1. Case assembly (part 1)

- your case will come with separated chassis panels and you will need to assemble them before installing your parts in it
- start by attaching the rear panel to the top panel with two 5mm countersunk bolts
- beware of parts orientation
- be careful not to over torque the bolts as you are screwing into aluminum



M3

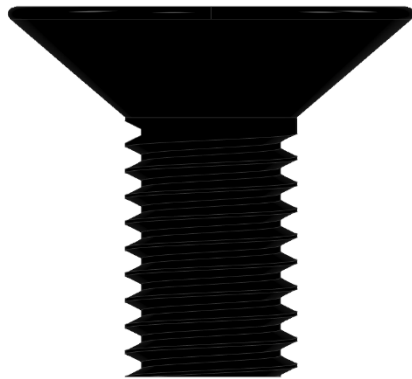
PH1

5mm



2. Case assembly (part 2)

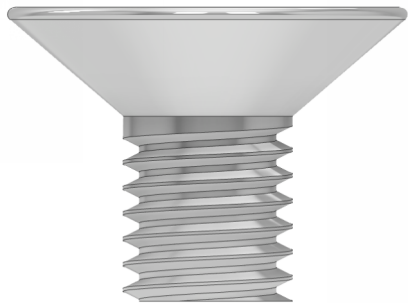
- continue by attaching the MBO tray to the rear and top panel
- use two 5mm countersunk bolts for top panel, and 4mm countersunk bolt for the rear panel (silver finish)



M3

PH1

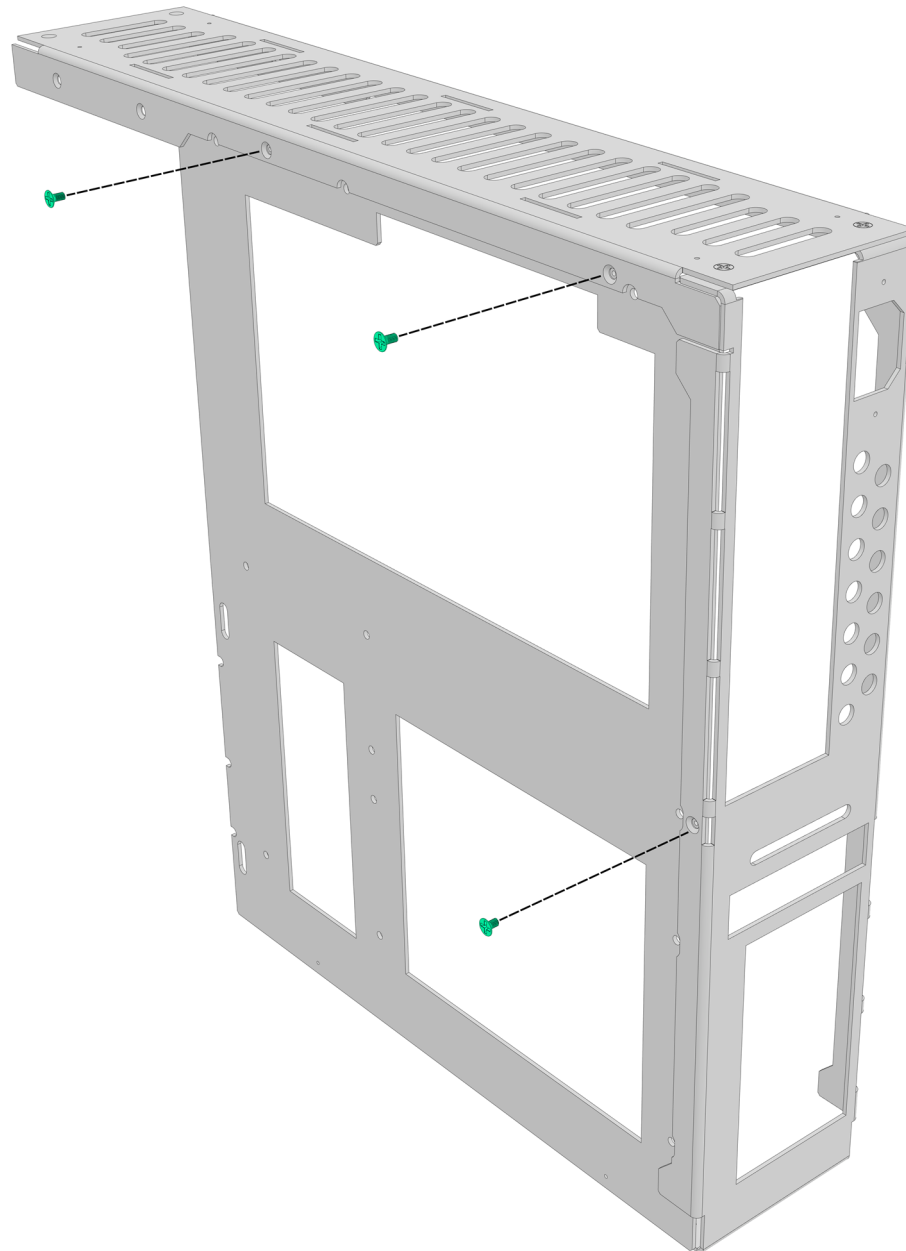
5mm



M3

PH1

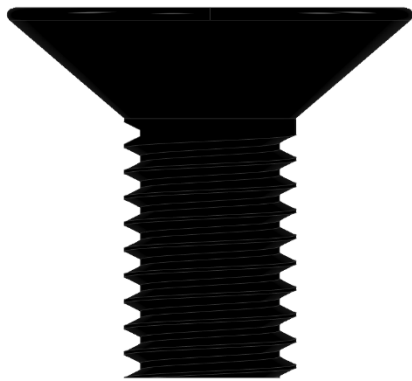
4mm





3. Case assembly (part 3)

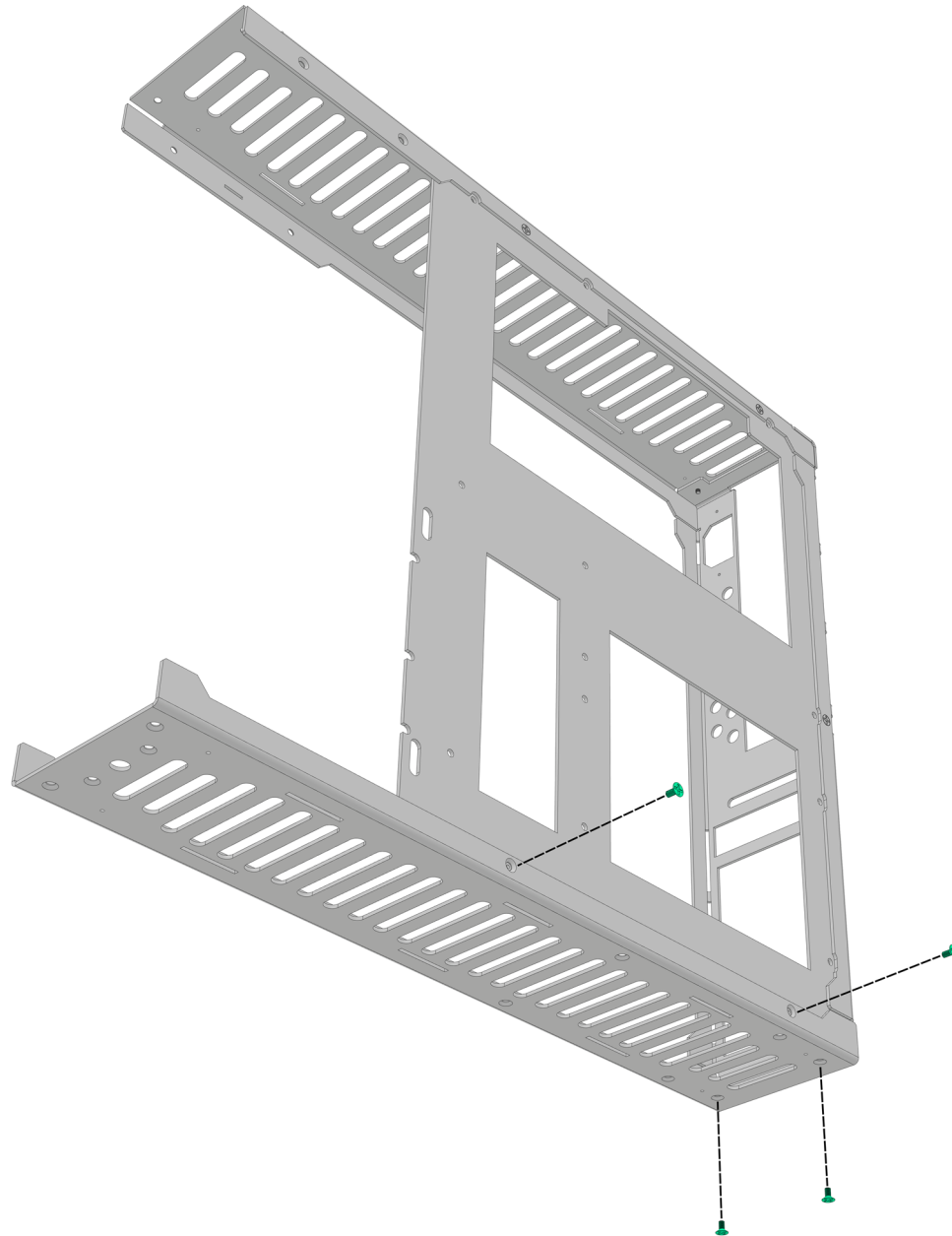
- now attach the bottom panel to the mbo tray and to the rear panel with four 5mm countersunk bolts



M3

PH1

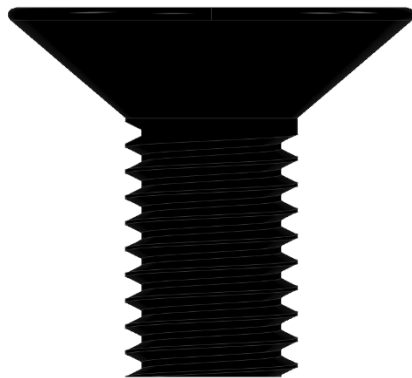
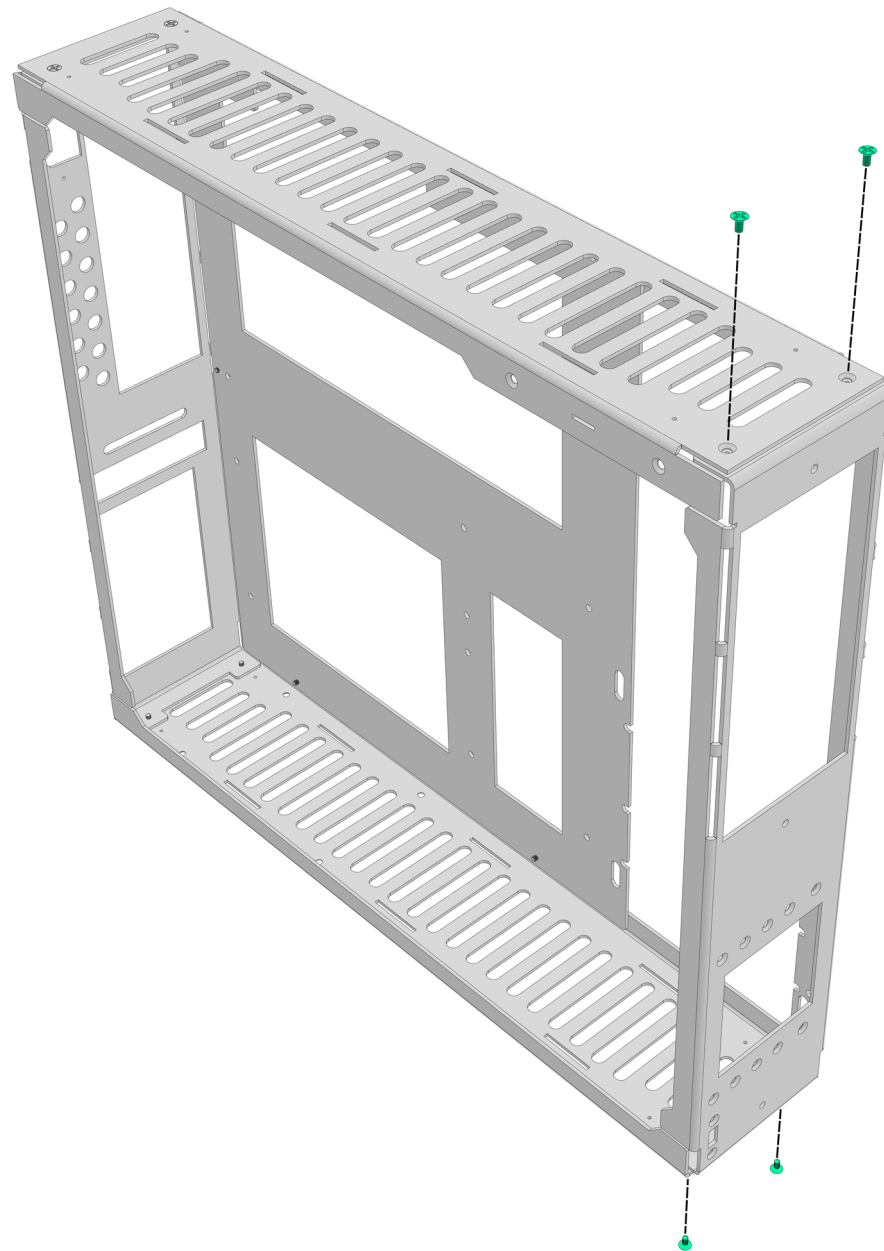
5mm





4. Case assembly (part 4)

- next step is to attach the front panel to top and bottom panels with four 5mm countersunk bolts



M3

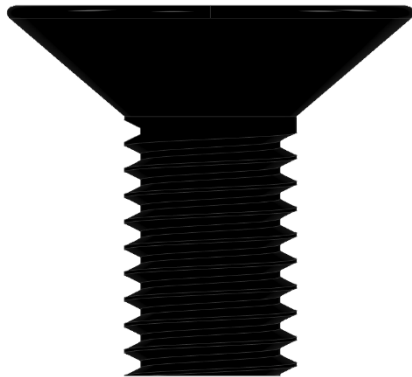
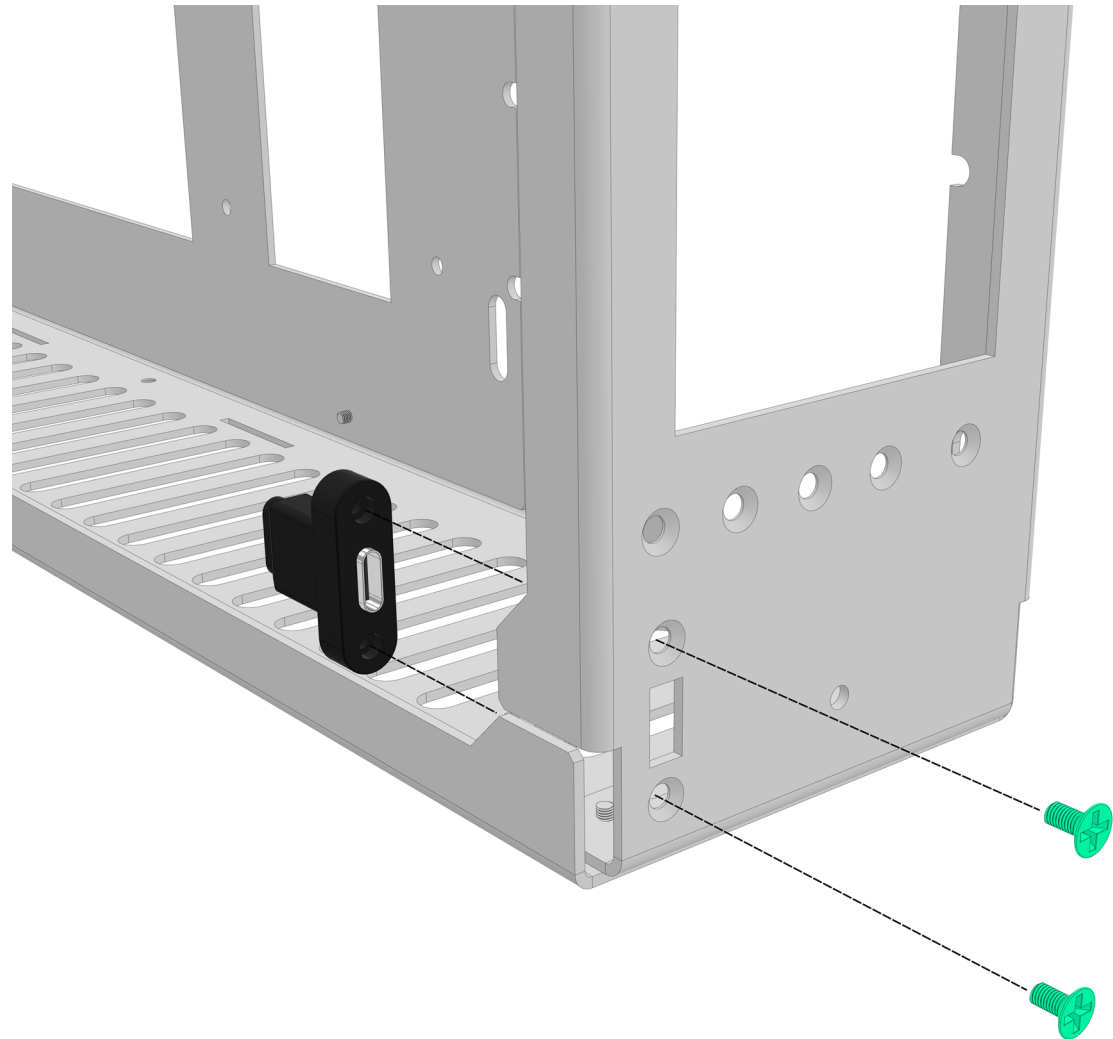
PH1

5mm



5. Case assembly (part 5)

- before attaching the mask, you first need to install USB-C cable
- use two 5mm countersunk bolts to secure it to the front panel
- **if you want to install multiple 2.5" drives you need to do it now, before attaching the mask. Please see step 28 for further instructions**



M3

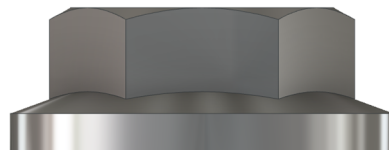
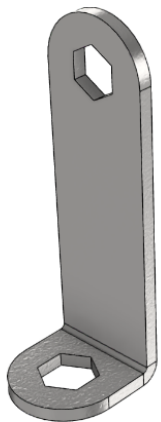
PH1

5mm



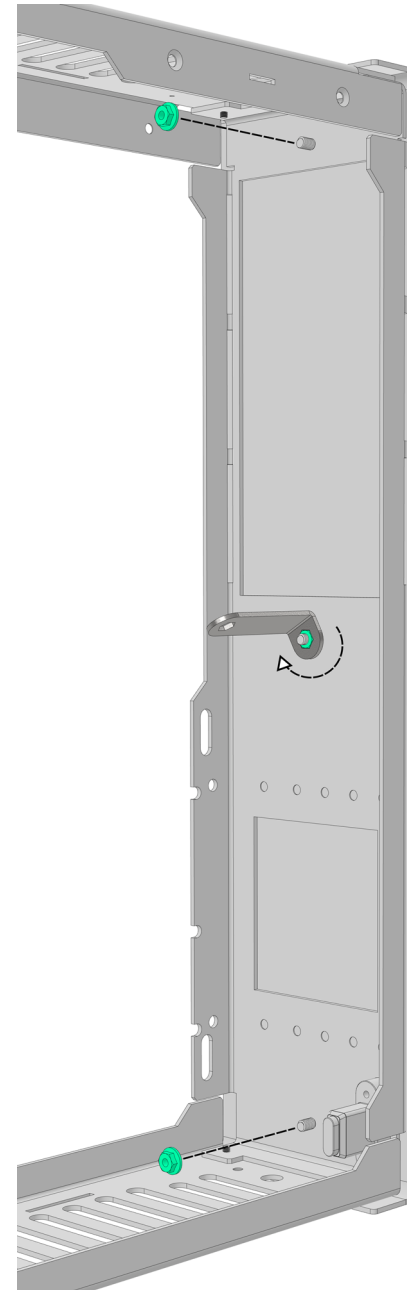
6. Case assembly (part 6)

- now you can attach the mask to the front panel using three M3 flanged nuts with provided hex tool



M3

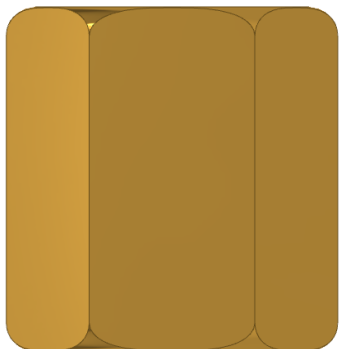
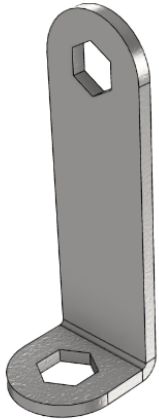
5.5mm socket





7. Installing the motherboard – preparing standoffs (part 1)

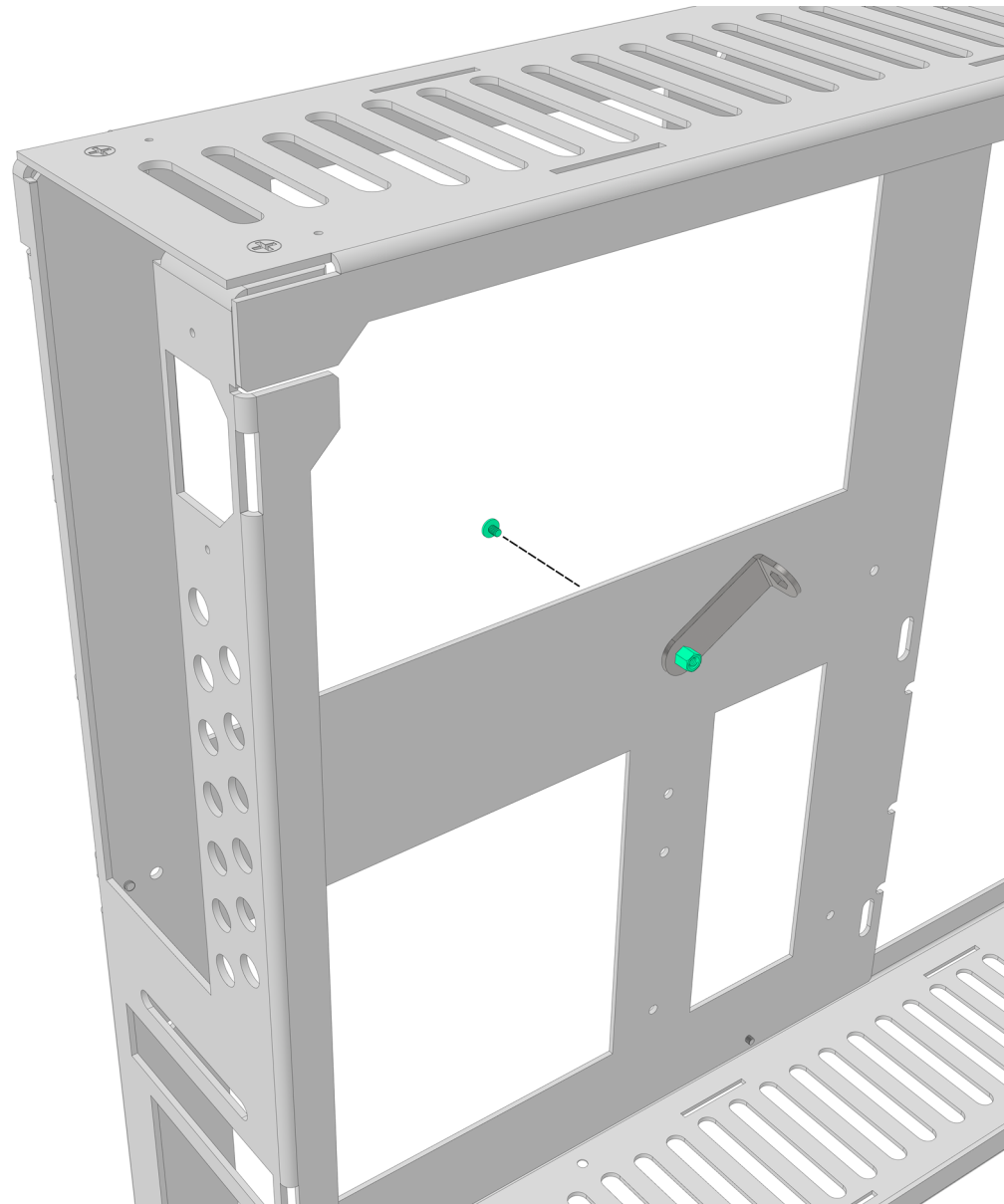
- to install standoffs, you need a standoff and bolt that holds it
- screw the standoff to the bolt with your hands
- to tighten the standoff, use screwdriver and provided hex tool like shown in the picture



M3

5mm socket

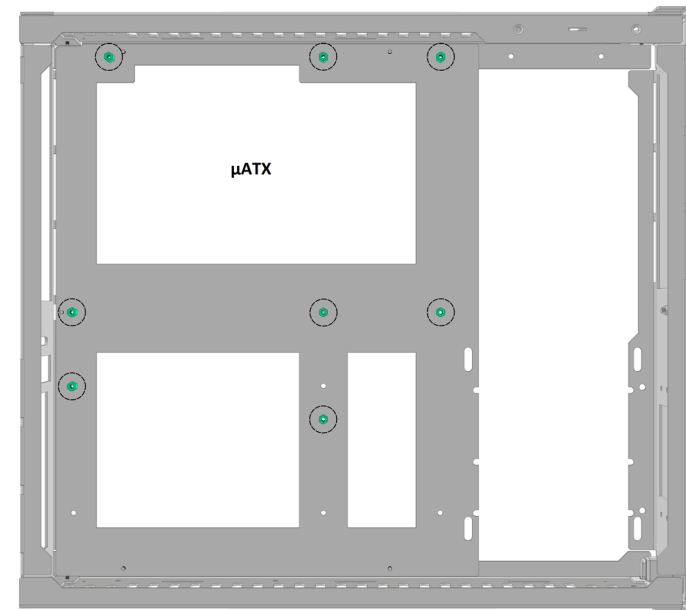
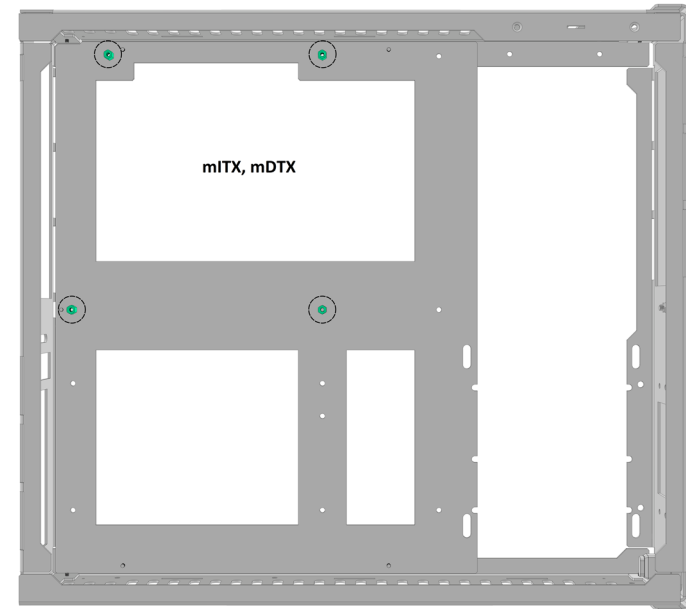
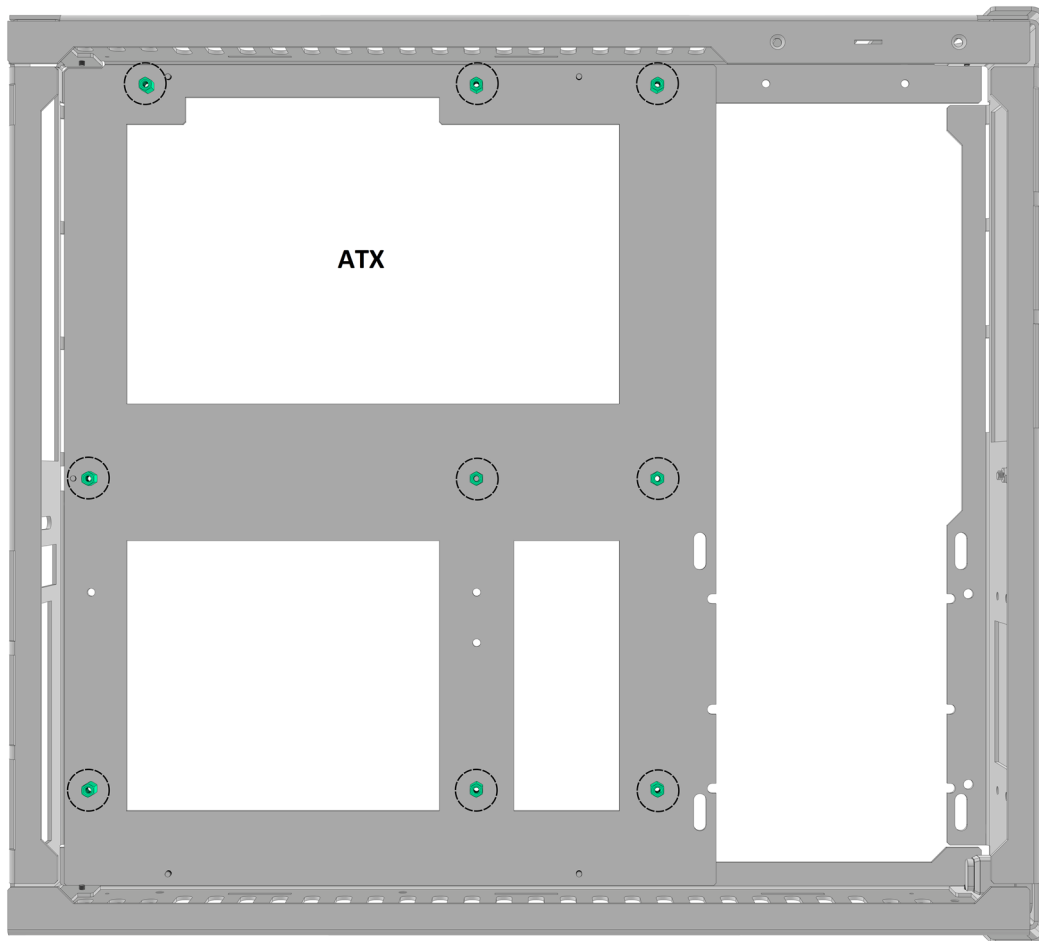
6mm





8. Installing the motherboard – preparing standoffs (part 2)

- following pictures show standoff configurations for different motherboard sizes
- always install correct standoffs, otherwise you could damage the motherboard





9. Installing the power switch

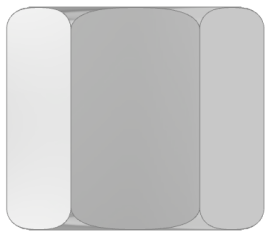
- before installing the motherboard, you need to install the power switch
- to do so use short 3mm pan head bolts on the upper side, silver 5mm long M3 standoffs between the case and the power switch, and 5mm countersunk bolts on the lower side, like shown in the picture



M3

PH2

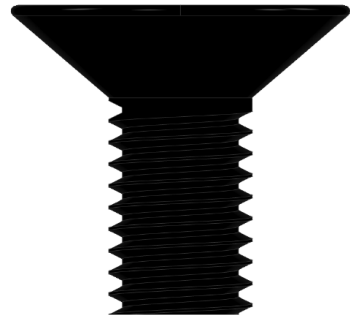
3mm



M3

5mm socket

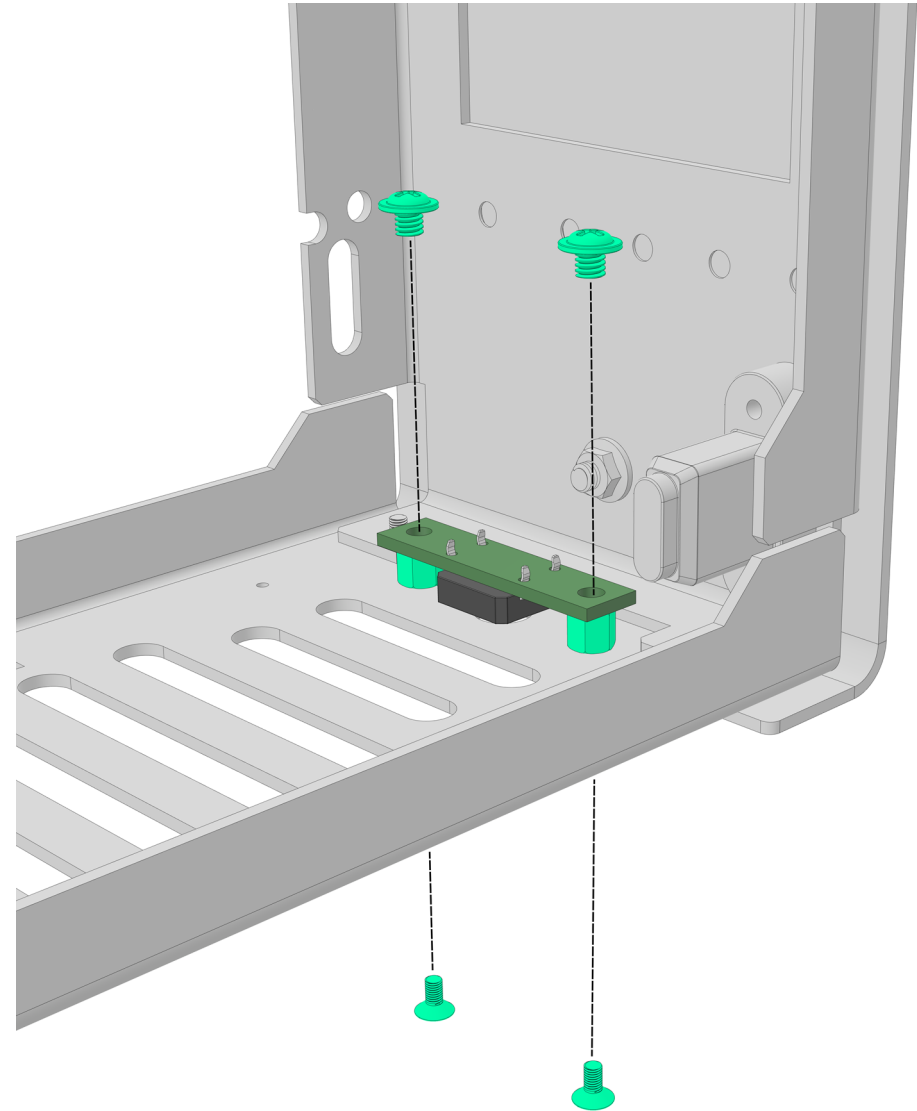
5mm



M3

PH1

5mm





10. Installing the motherboard – bolts and cables

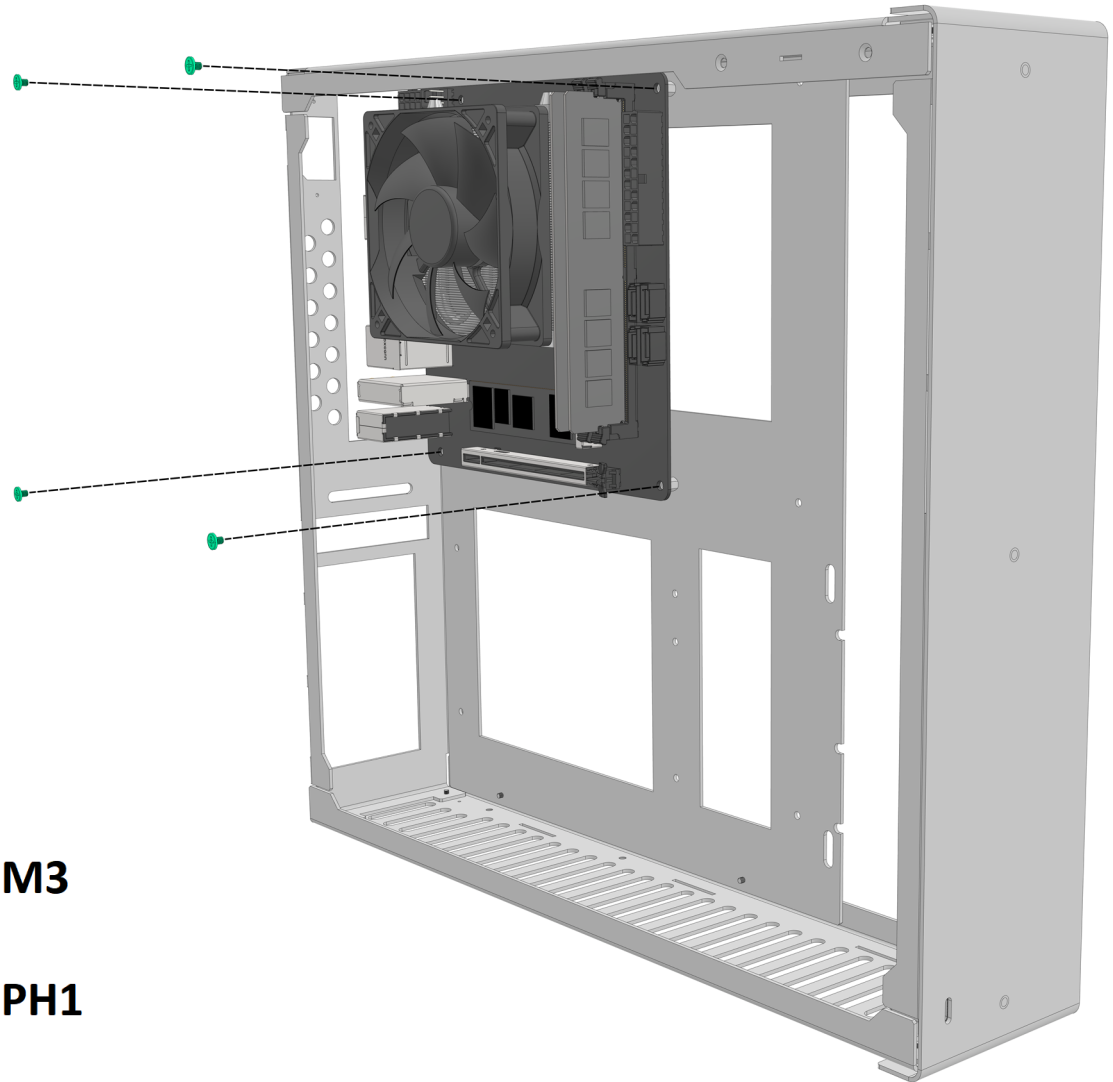
- prepare the motherboard by installing CPU, RAM, M.2 drives, and CPU air cooler if using one
- **install the IO shield**
- align the motherboard on the standoffs
- screw the motherboard down using provided bolts
- after installing the motherboard, connect internal USB-C cable and power switch connector
- if you are not sure about motherboard connector positions, please consult its manual



M3

PH1

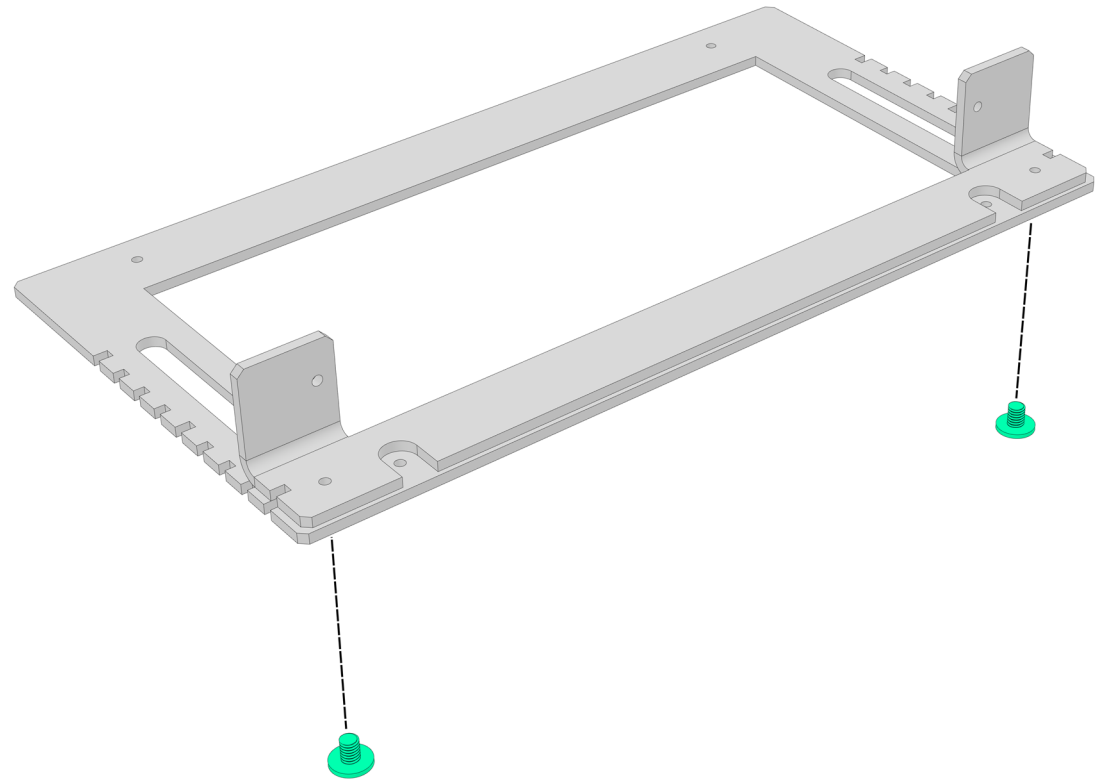
4mm





11. Installing GPU riser cable – preparing the riser bracket (part 1)

- attach two parts of the riser bracket using two pan head 4mm bolts like shown in the picture
- the bottom part should be oriented in a way that its M3 extrusions face towards the top part
- before tightening the bolts down fully, select the position of the top part corresponding to your GPU thickness (1-3 slot options)
- **you can review all the possible options on the next page**



M3

PH1

4mm



12. Installing GPU riser cable – preparing the riser bracket (part 2)

- this picture shows all the positions in which you can mount the top part of the bracket, depending on your GPU thickness
- you can also position it in between two steps if you want to fine tune the distance from the GPU to the side panel

3 slot GPU

2.75 slot GPU

2.5 slot GPU

2.25 slot GPU

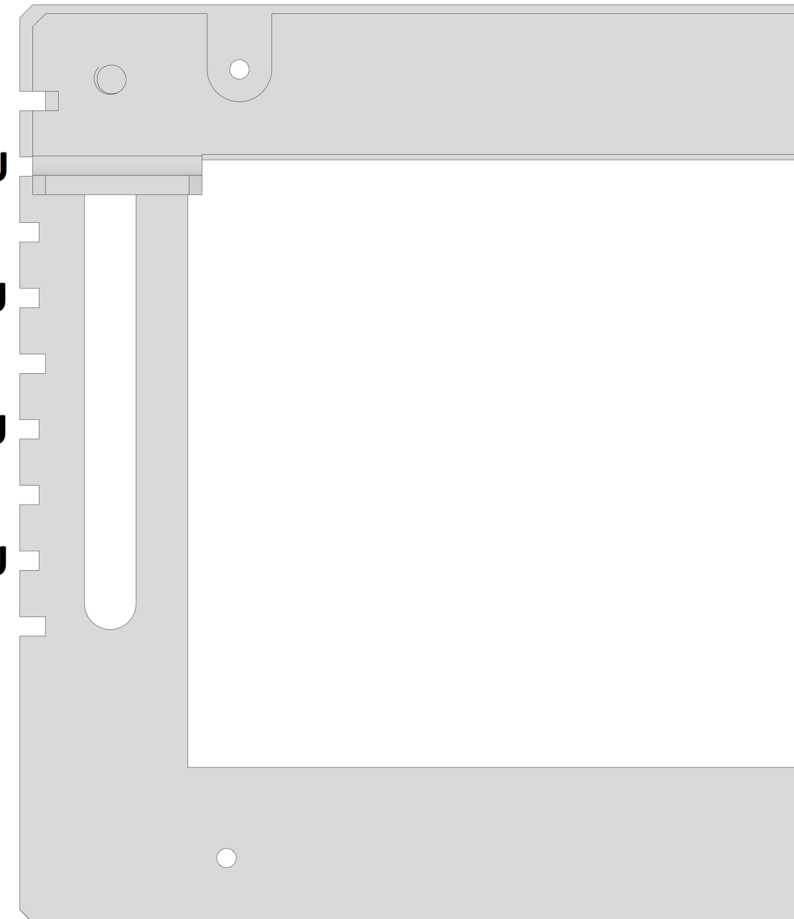
2 slot GPU

1.75 slot GPU

1.5 slot GPU

1.25 slot GPU

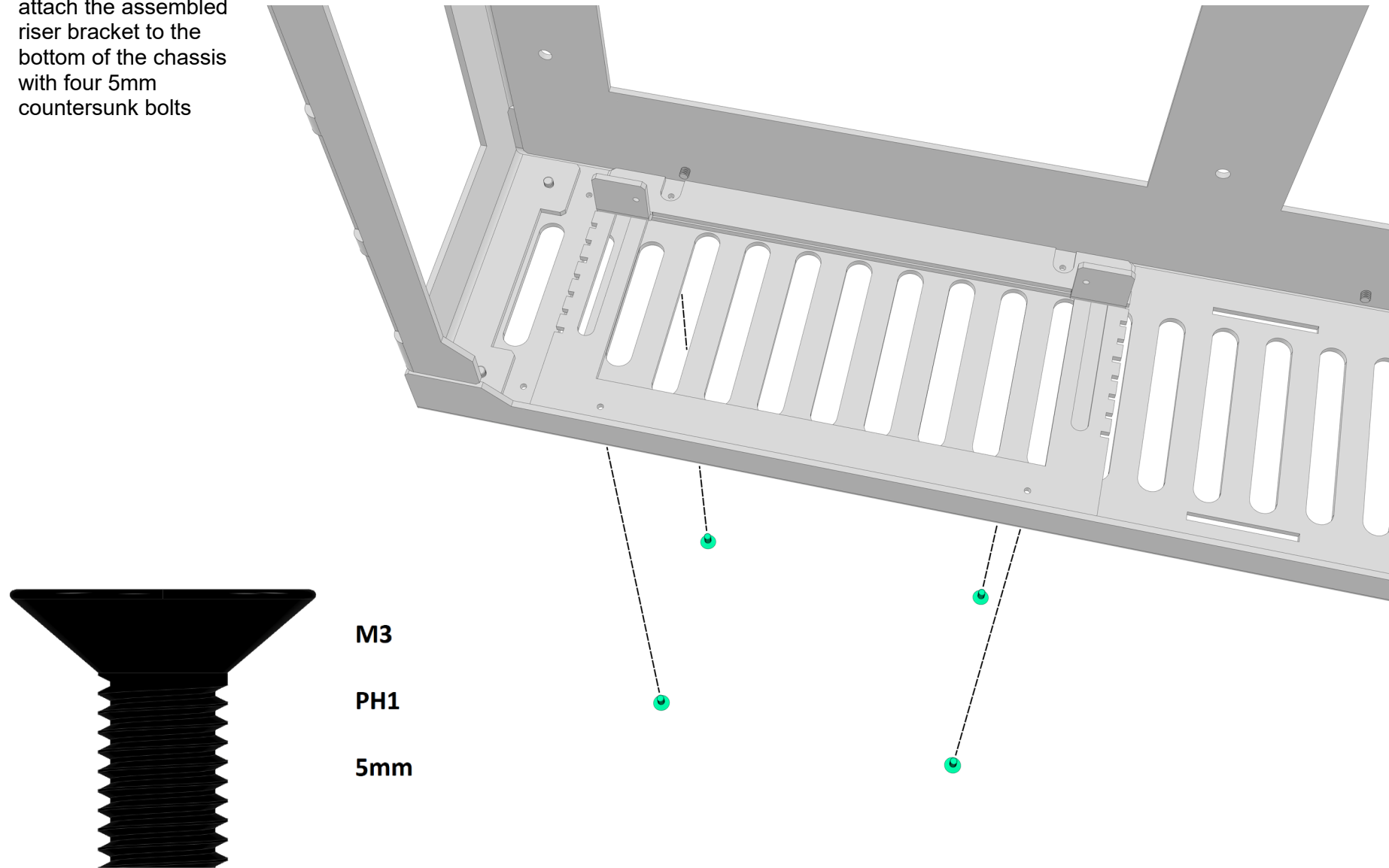
1 slot GPU





13. Installing GPU riser cable – preparing the riser bracket (part 3)

- attach the assembled riser bracket to the bottom of the chassis with four 5mm countersunk bolts





14. Installing GPU riser cable – riser and bolts

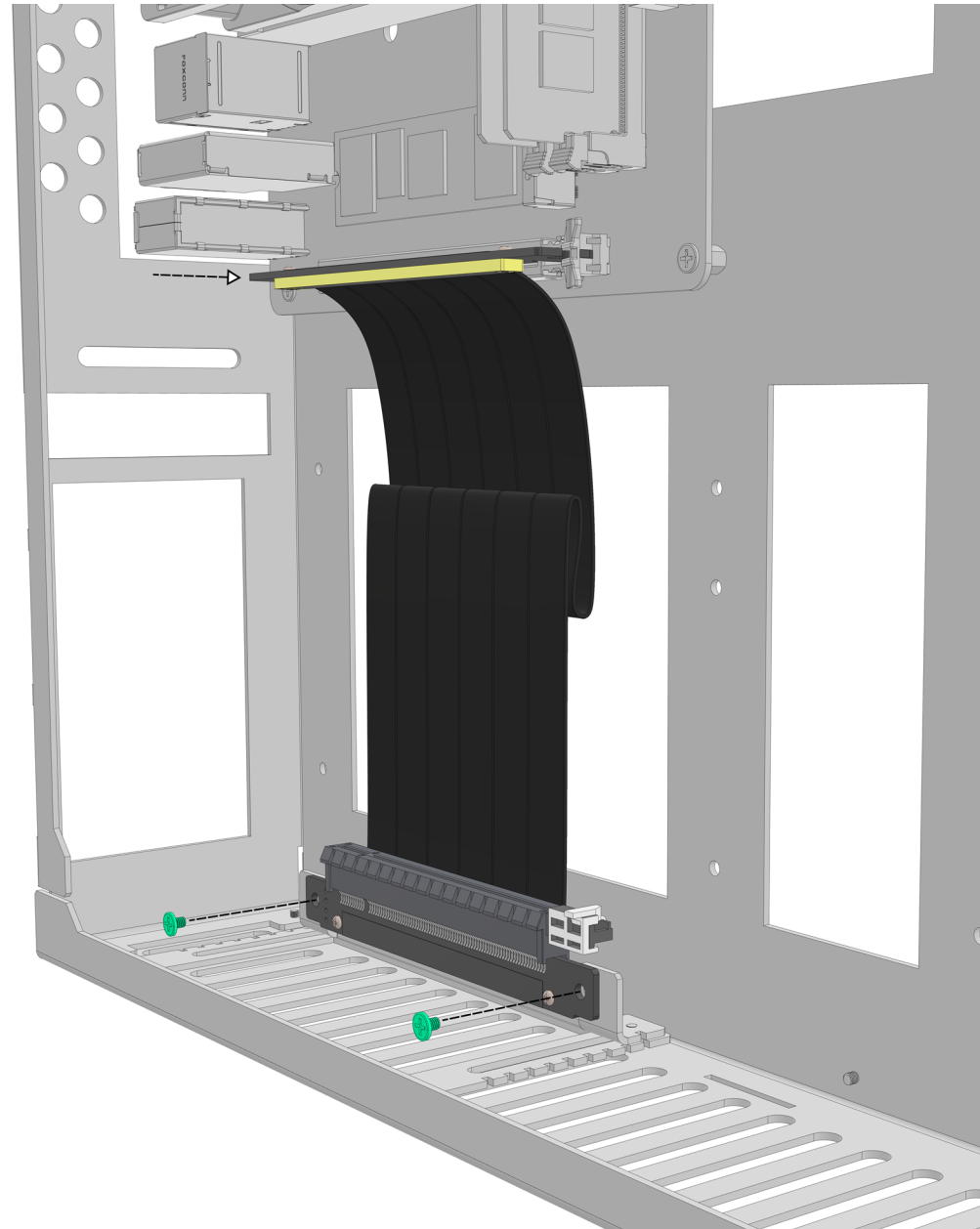
- install the male end of the riser into the motherboard
- screw down the female end of the riser onto previously installed riser bracket
- depending on your configuration, you may need to bend the riser like shown in the picture



M3

PH1

4mm





15. Installing the GPU – GPU bracket

- before installing GPU, you need to attach GPU bracket to the GPU, like shown in the picture
- put a washer under the bolt head in necessary
- screw down GPU to the GPU bracket



M3

PH1

4mm





16. Installing the GPU – GPU

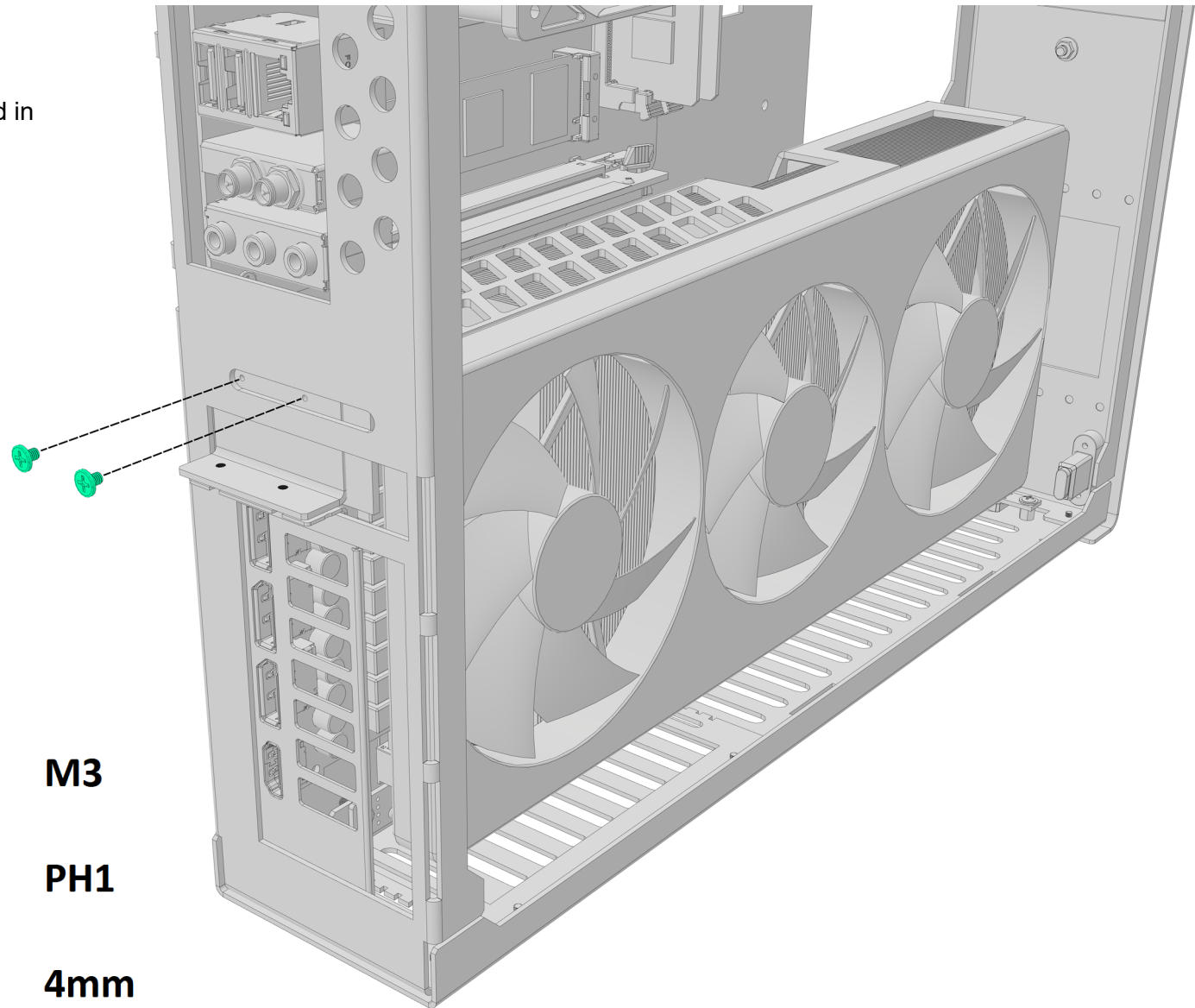
- install the GPU into the riser
- be sure that it is fully seated
- put the riser clip into locked position
- if your GPU is very tall, you might want to install it along with the riser





17. Installing the GPU – bolts

- screw down GPU bracket to the case with two screws
- put a washer under the bolt head in necessary



M3

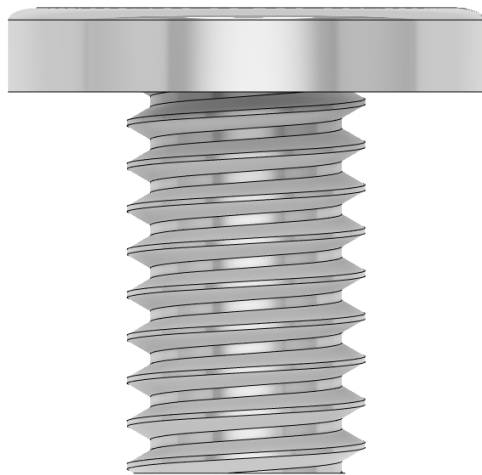
PH1

4mm



18. Installing SFX power supply – PSU bracket

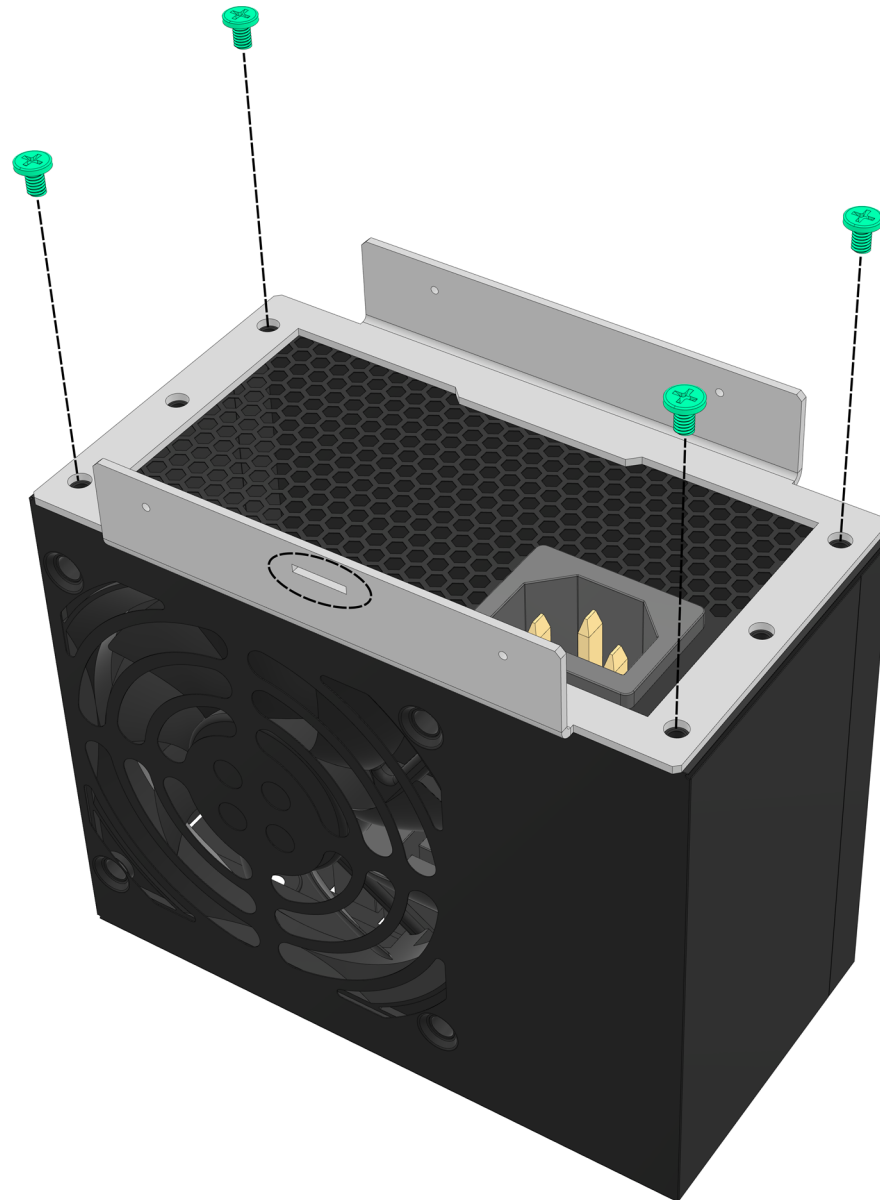
- select the PSU orientation (side with the notch will face the left panel)
- screw down the power supply to the bracket using four silver #6-32 bolts
- we recommend using the bolts supplied with your PSU, as they vary in length



#6-32

PH2

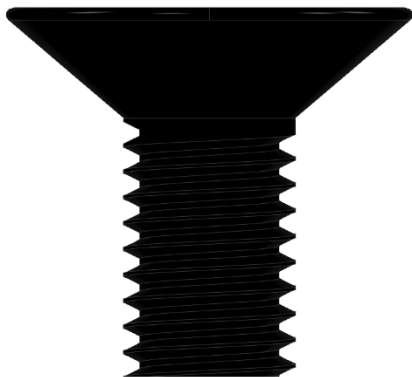
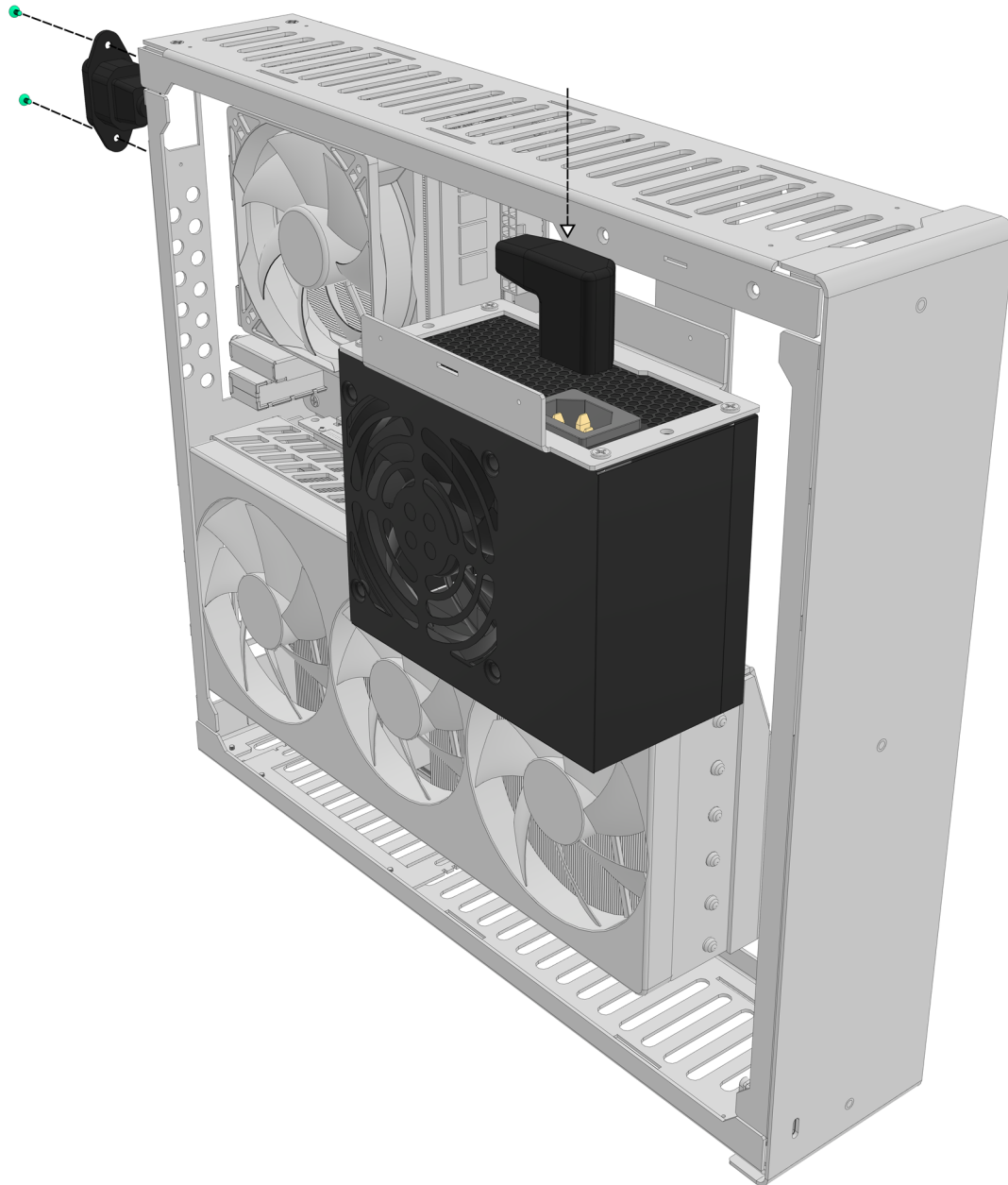
5mm





19. Installing SFX power supply – cable

- before installing the power supply into the case, screw down the internal AC cable to the rear side of the case using two 5mm countersunk bolts
- insert the AC plug into the connector on the power supply like shown in the picture
- please take care of the PSU bracket orientation, the part with the notch goes towards the left side of the case, like shown in the picture



M3

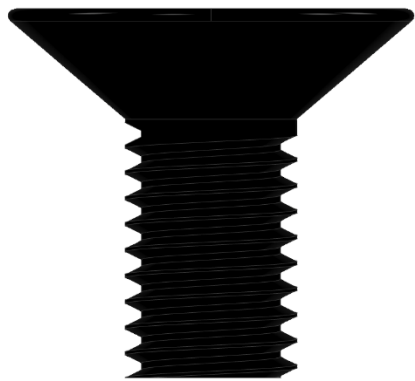
PH1

5mm



20. Installing SFX power supply – bolts

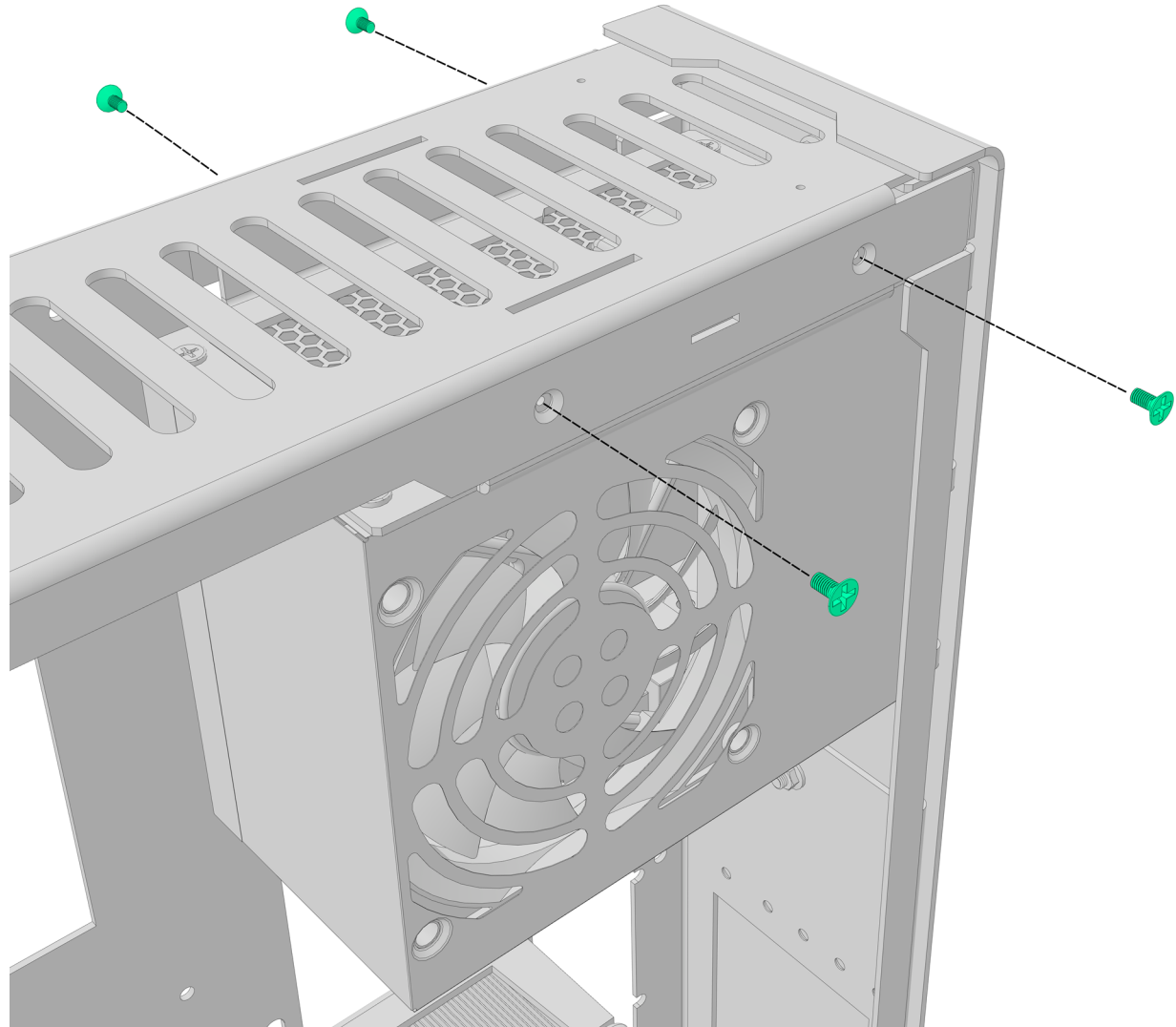
- screw the power supply bracket to the case from the front and the back side of the case using four provided countersunk screws
- PSU should fit into the cutout on the front panel, positioning it as close as possible to the mask



M3

PH1

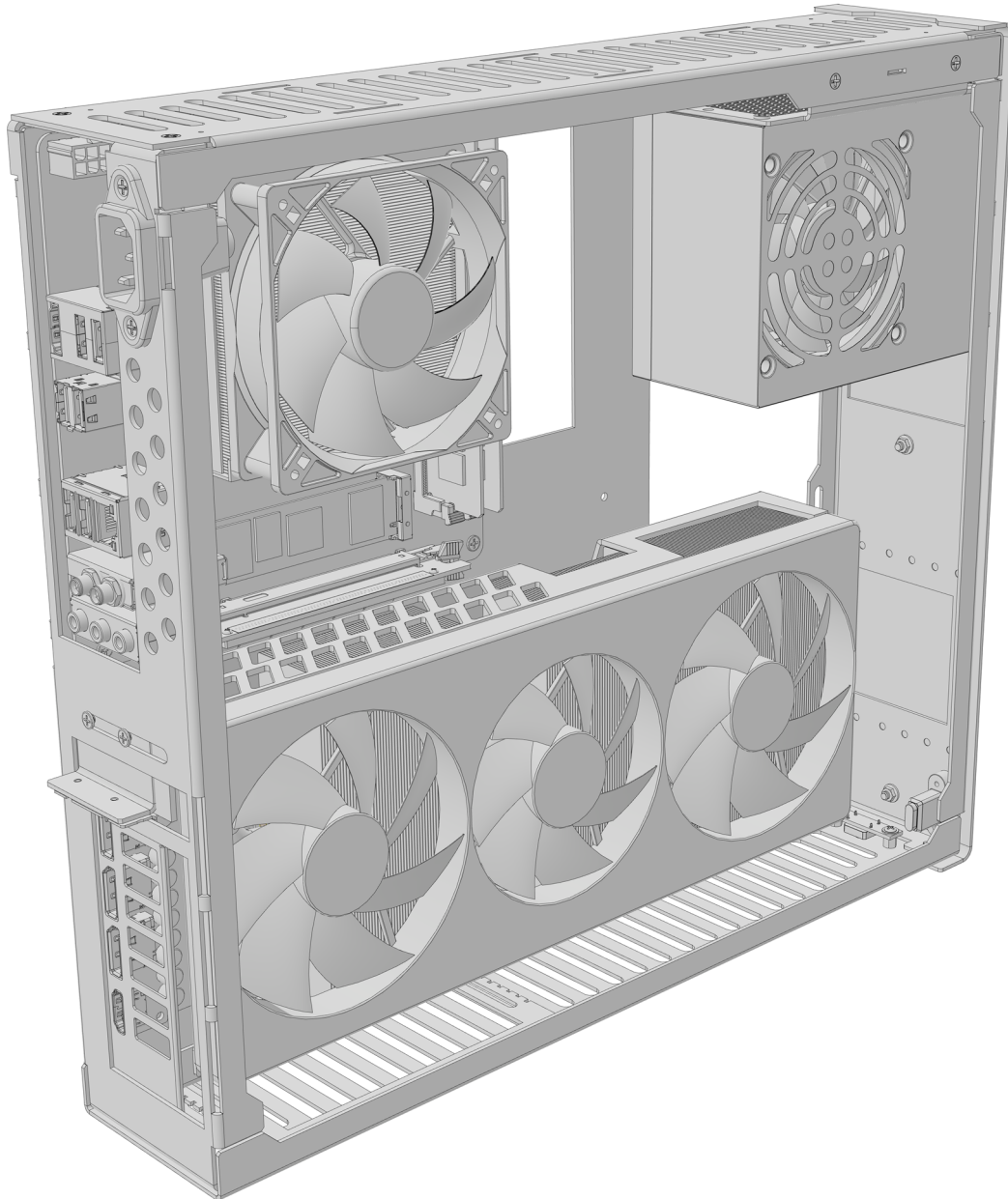
5mm





21. Parts installed

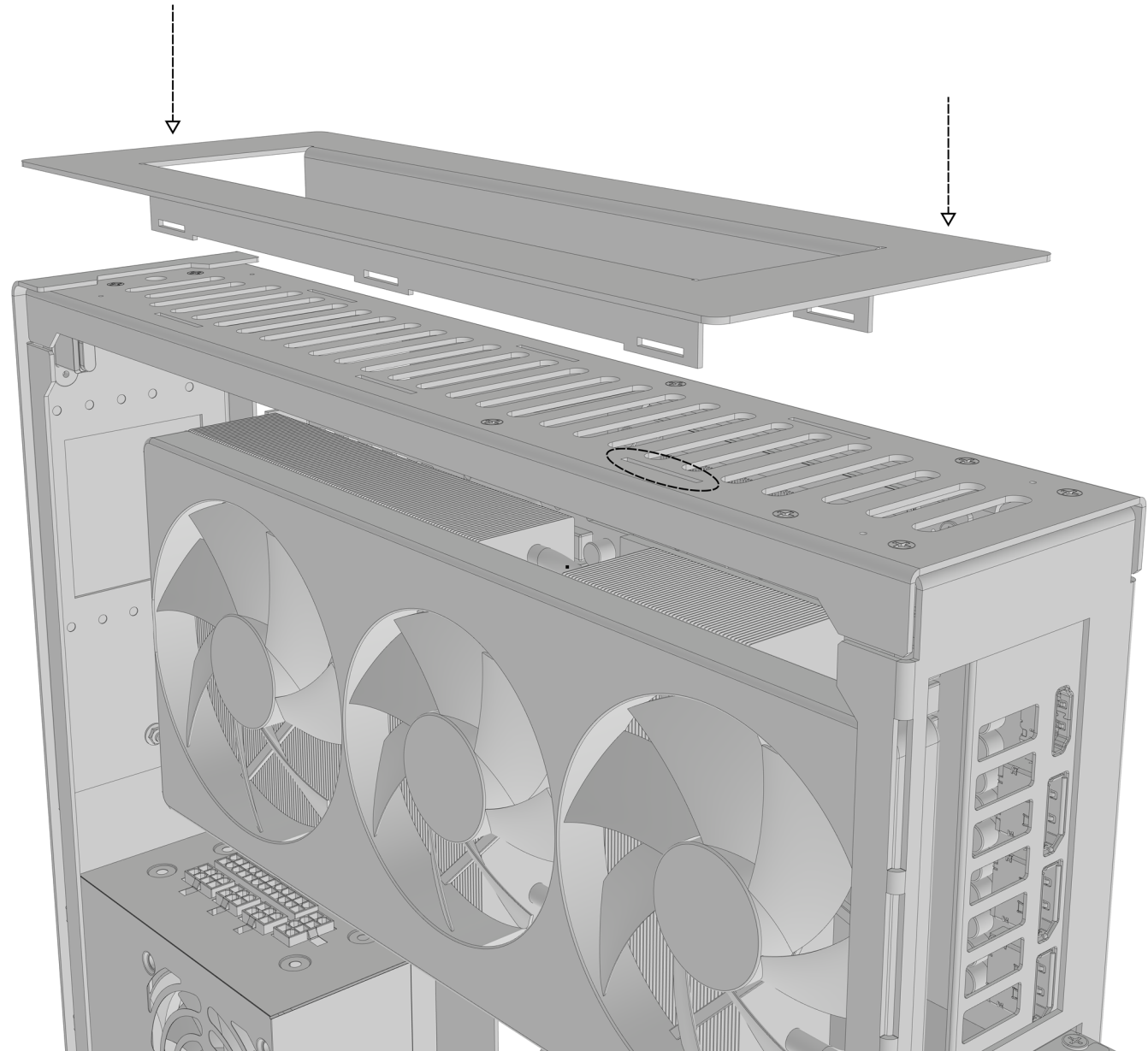
- after installing all the main components, you can attach other cables, such as PSU cables
- you can now proceed to install side panels and the stand
- installation of hard drives and water-cooling radiators is covered in the later part of the manual





22. Installing the stand

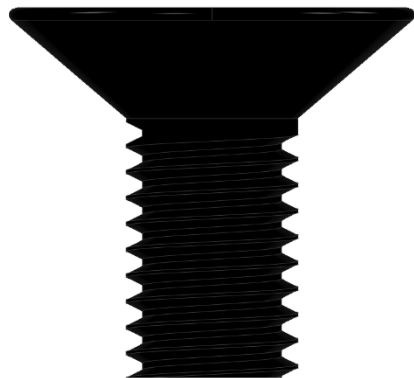
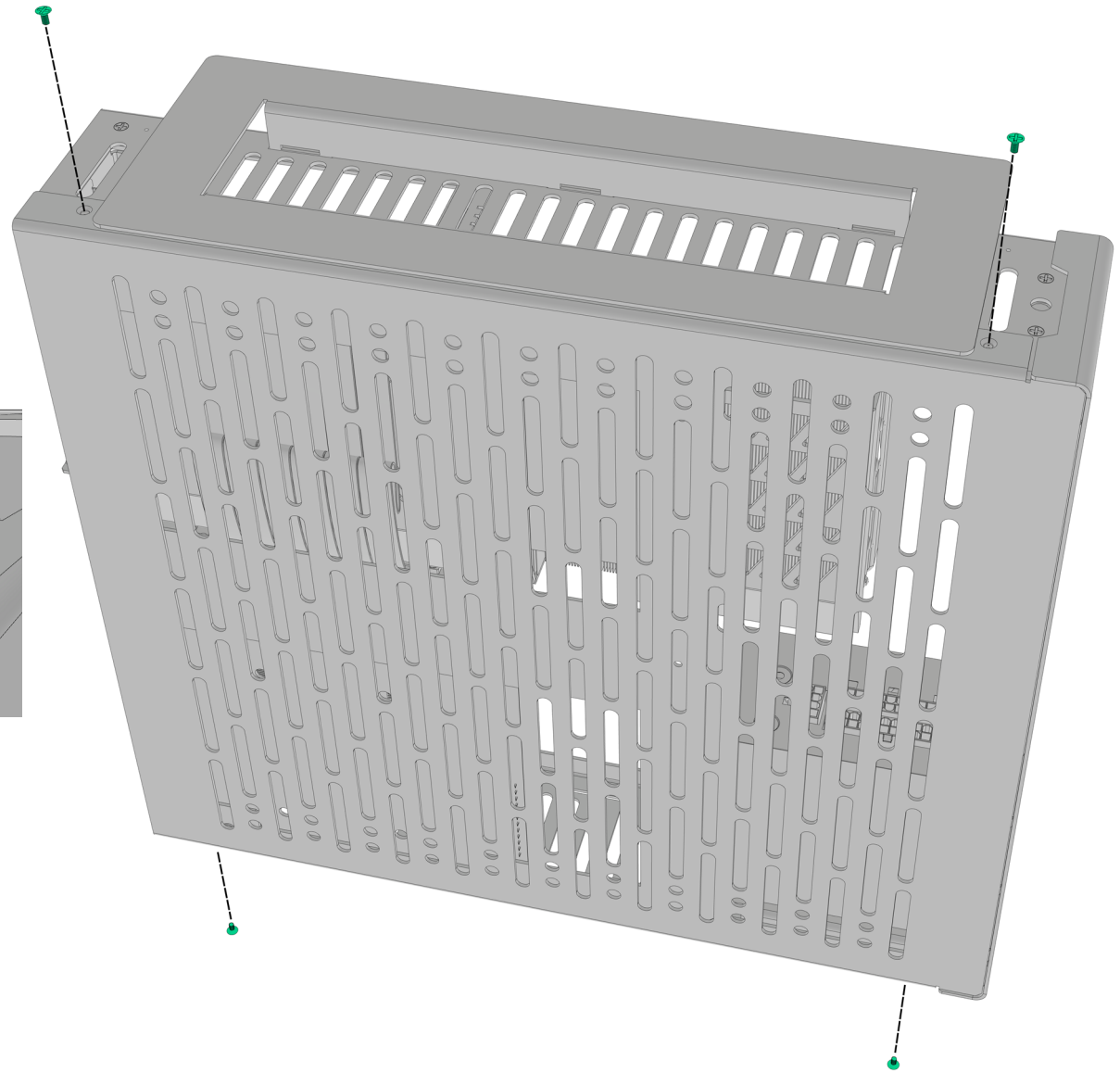
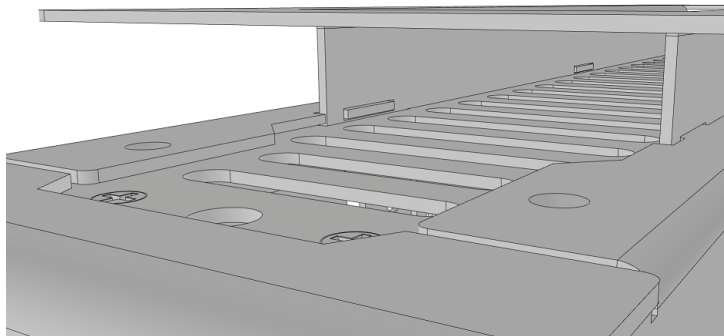
- select the orientation you want the case to be in (classic orientation – stand mounted to the bottom panel; inverted orientation – stand mounted to the top panel)
- lay the case on its top side
- align the slots on the stand to the tabs on the bottom of the case like shown in the picture
- insert the stand into the case
- stand will be fixed once you install side panels





23. Installing side panels

- install side panels in a way that the notched side is oriented towards the stand
- notches on the side panels should go into the slots on the stand (see detailed picture)
- secure side panels with four countersunk bolts for each side



M3

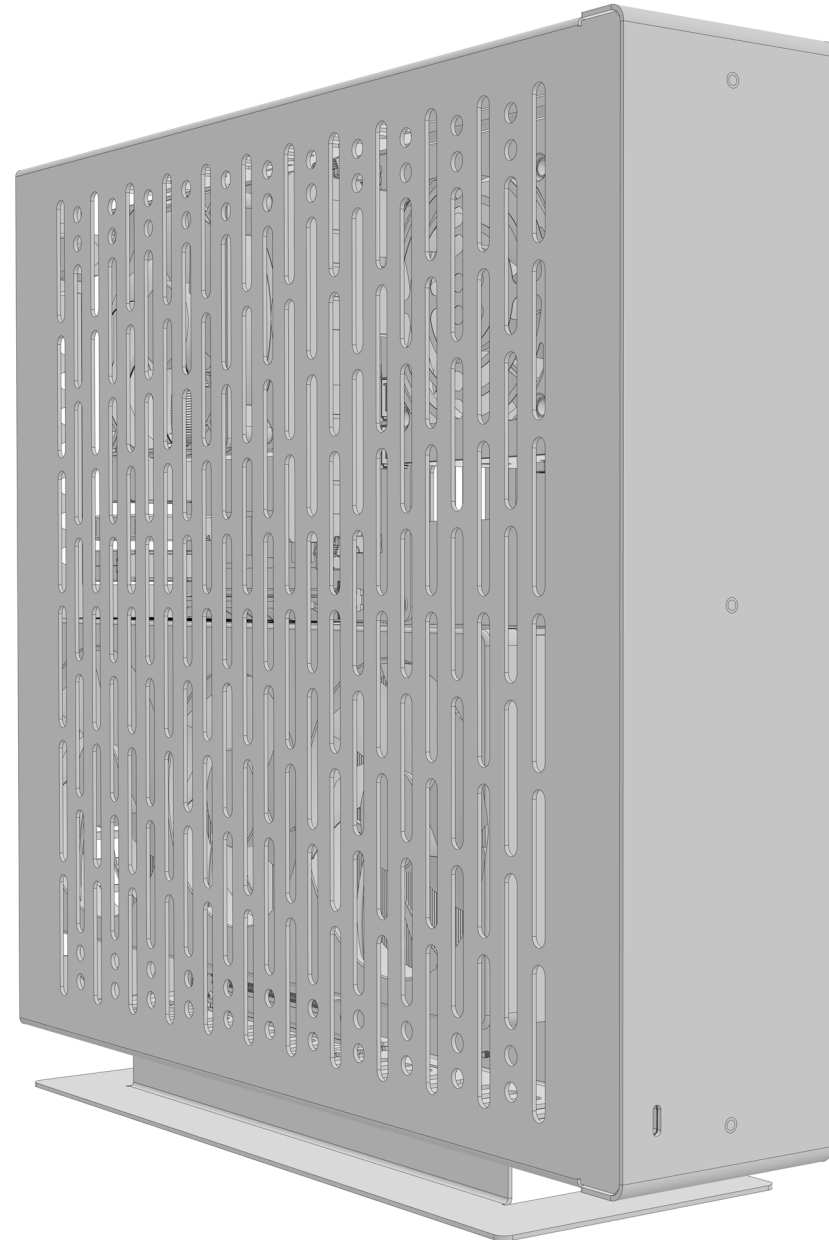
PH1

5mm



24. Build complete

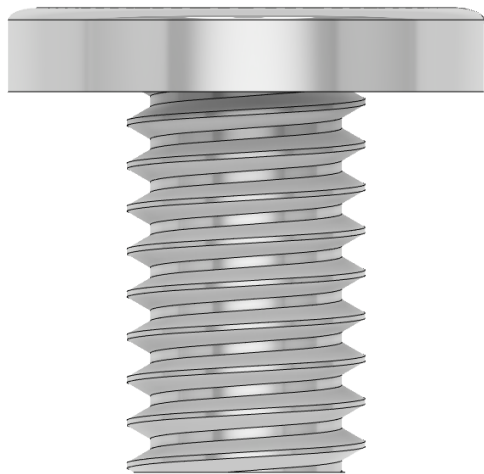
- congratulations, you have completed your build in the P-ATX V3 case!
- if you have any questions, comments or want to send us your feedback, please write to us at info@sftime.com
- be sure to check out our website sftime.com to see the updates and new case designs
- you can find instructions for mounting hard drives and water-cooling radiators in the later part of the manual
- want to share pictures of your build with us? Send them to the email above and we'll display them on our website and social media





25. Installing hard drives – 3.5” drive

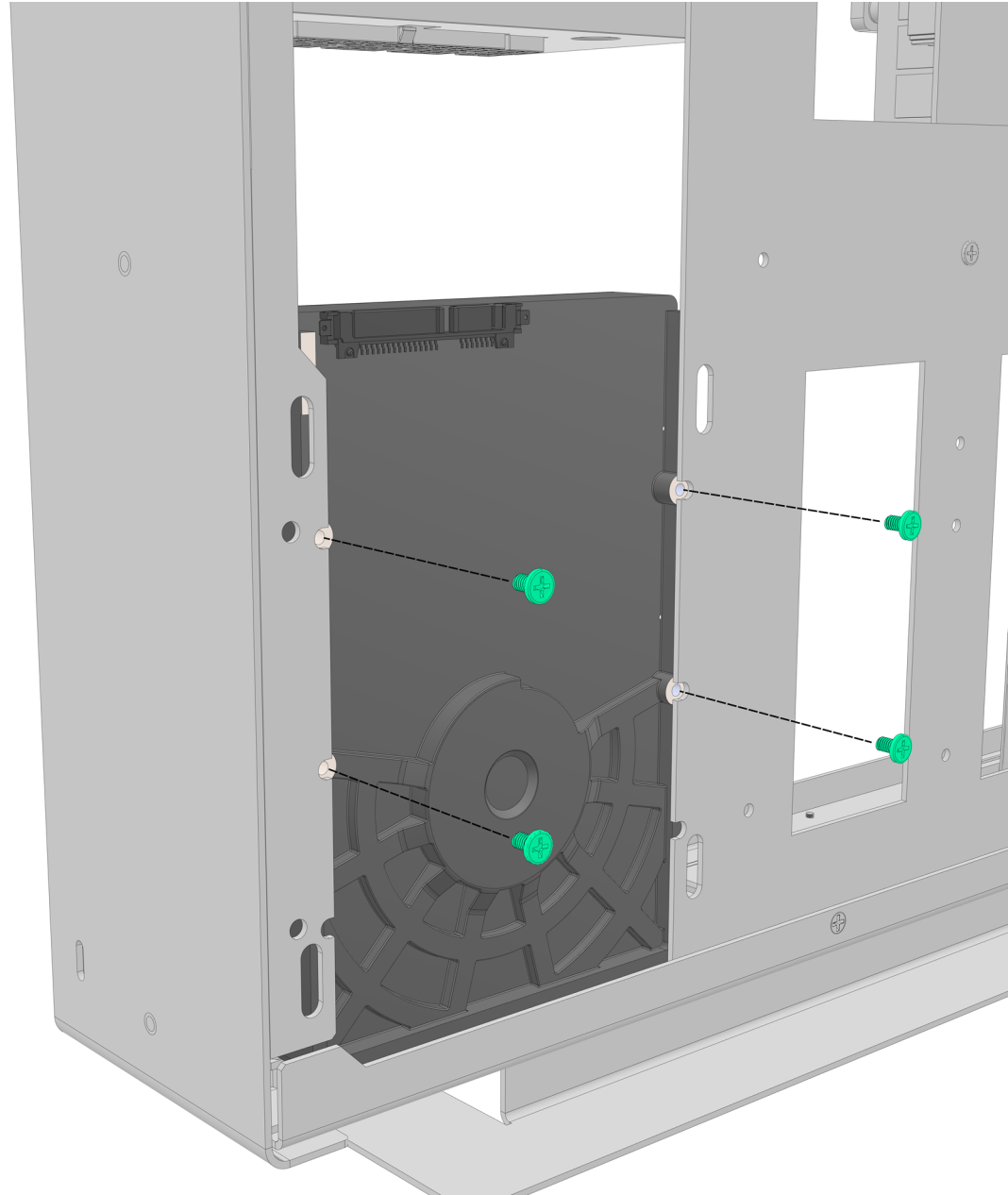
- screw down your 3.5” drive to the case using four #6-32 silver bolts like shown in the picture



#6-32

PH2

5mm





26. Installing hard drives – 2.5” drive (part 1)

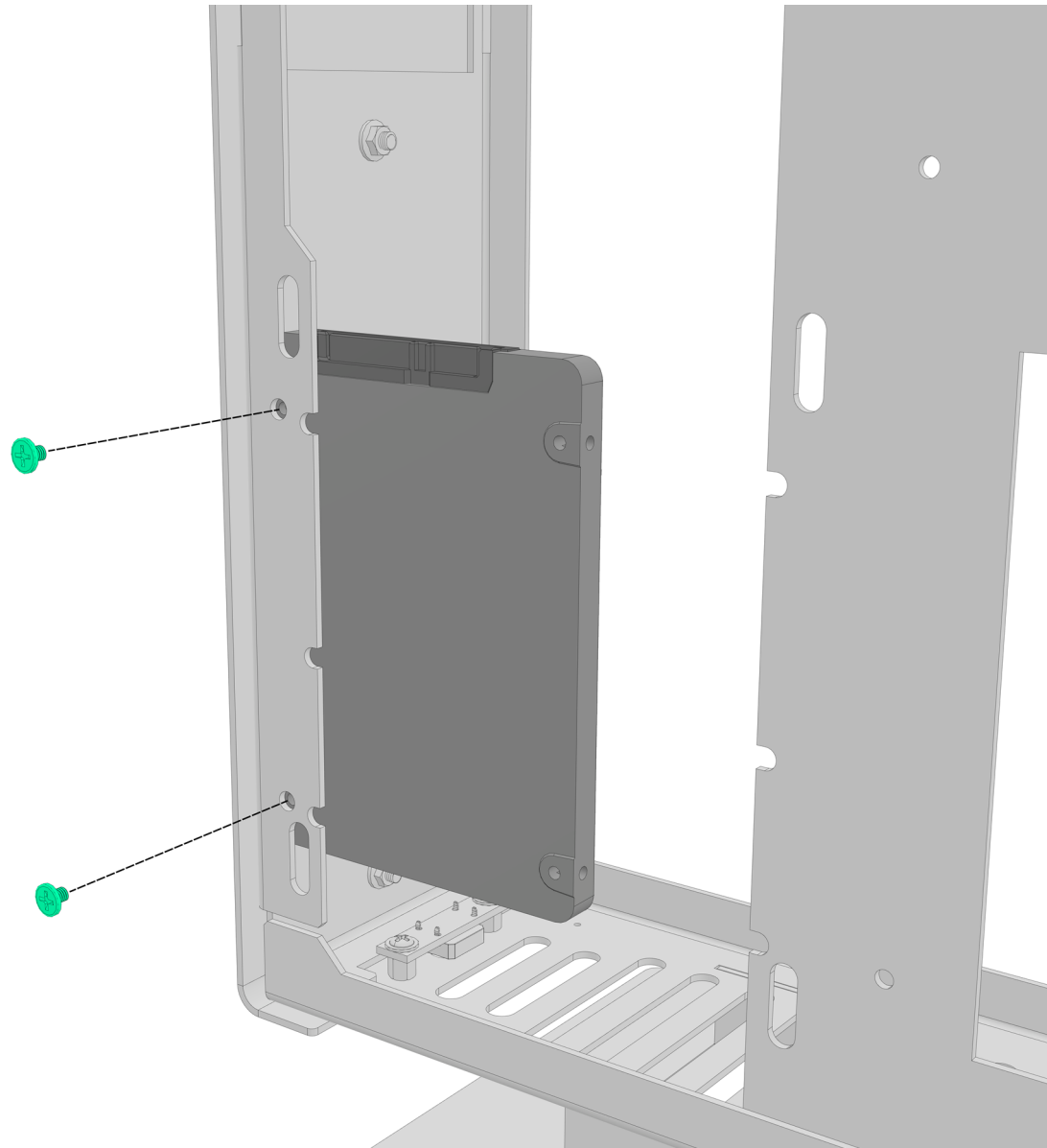
- depending on the rest of your hardware and number of 2.5” drives you want to install, you have three options for mounting them
- first option is one drive mounted in the same plane as the motherboard
- this option allows using the rest of the 2.5” mounting positions
- place the drive as shown in the picture and screw it down using two pan head bolts



M3

PH1

4mm





27. Installing hard drives – 2.5” drive (part 2)

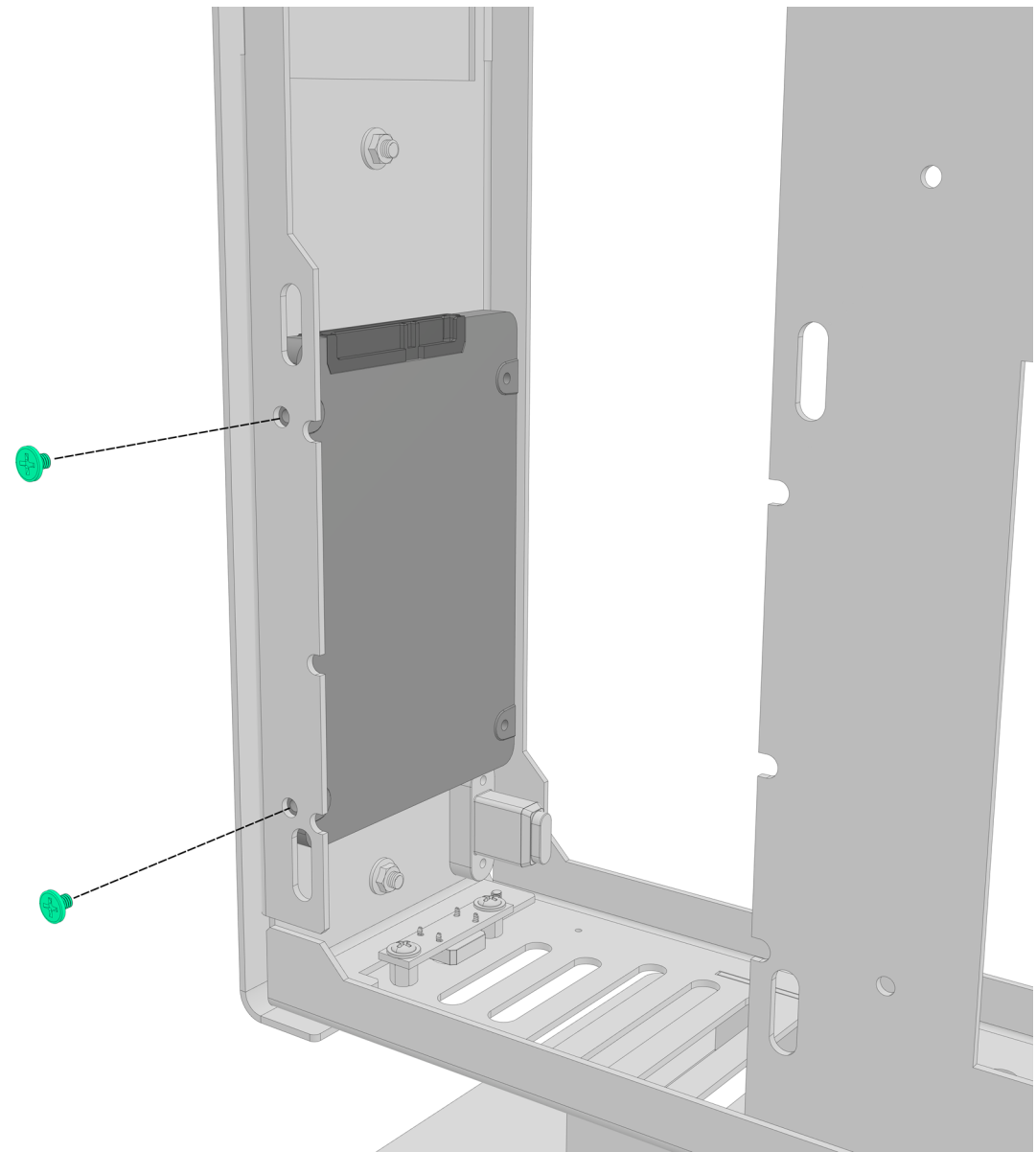
- second option is one drive mounted flush with the front panel
- this option allows using one 2.5” drive along with the 3.5” drive and long GPU
- place the drive as shown in the picture and screw it down using two pan head bolts



M3

PH1

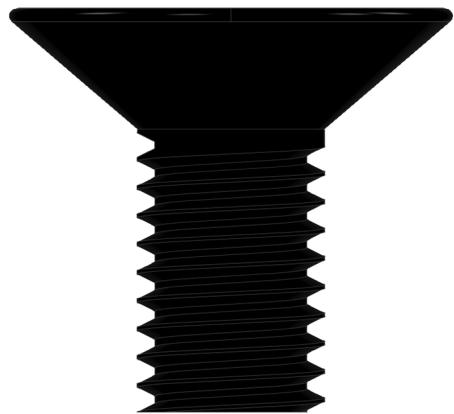
4mm





28. Installing hard drives – 2.5” drive (part 3)

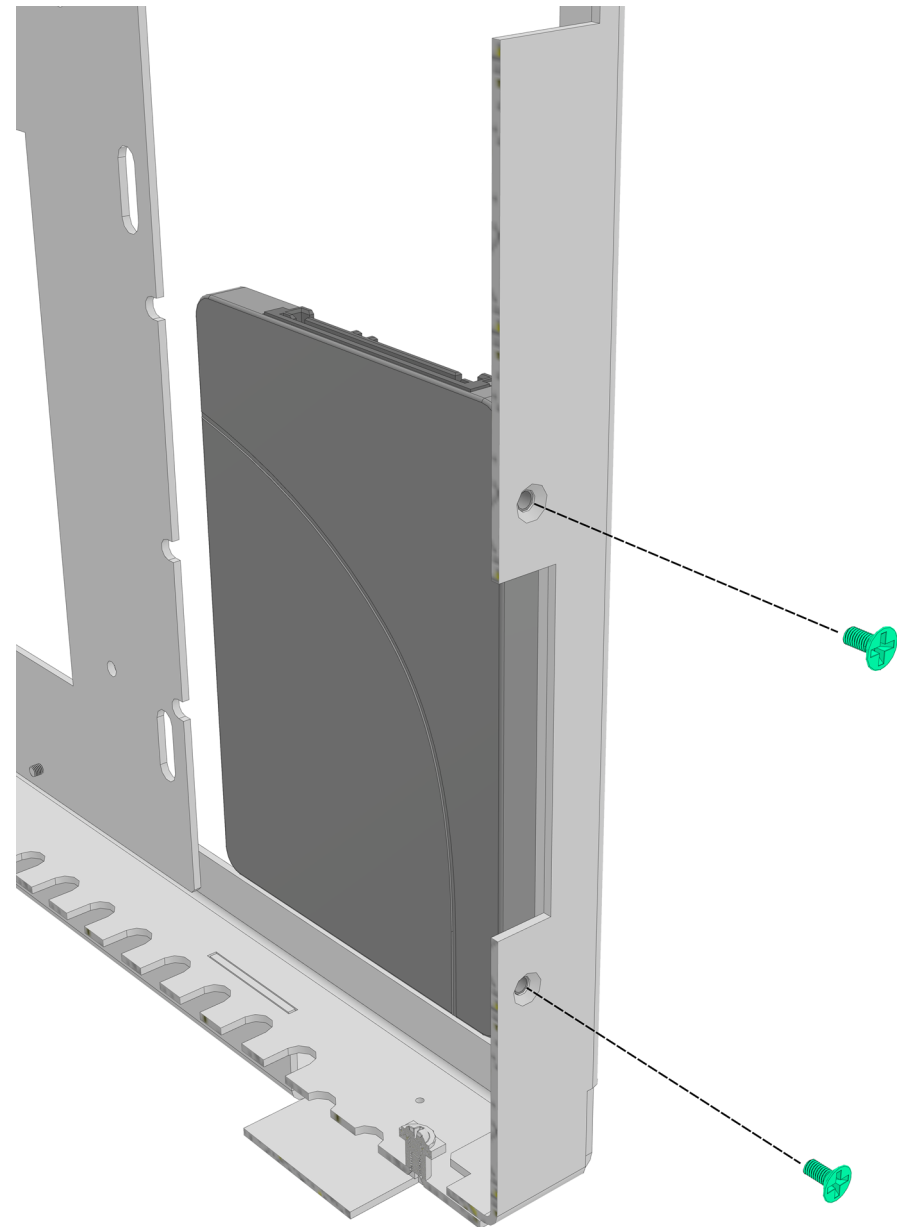
- third option is to mount up to five drives to the front panel
- this option allows using four 2.5” drives along with the 3.5” drive or up to six 2.5” drives in total
- place the drive as shown in the picture and screw it down using two 5mm countersunk bolts



M3

PH1

5mm





29. Installing the water-cooling radiator

- optionally, you can install water cooling radiator in the position otherwise occupied by hard drives
- place the radiator with its fan mounted in a position shown in the picture, and screw it to the case using four provided bolts
- depending on the threads on your radiator, use either provided black pan head M3 or the silver #6-32 bolts



M3

PH1

4mm



#6-32

PH2

5mm

